

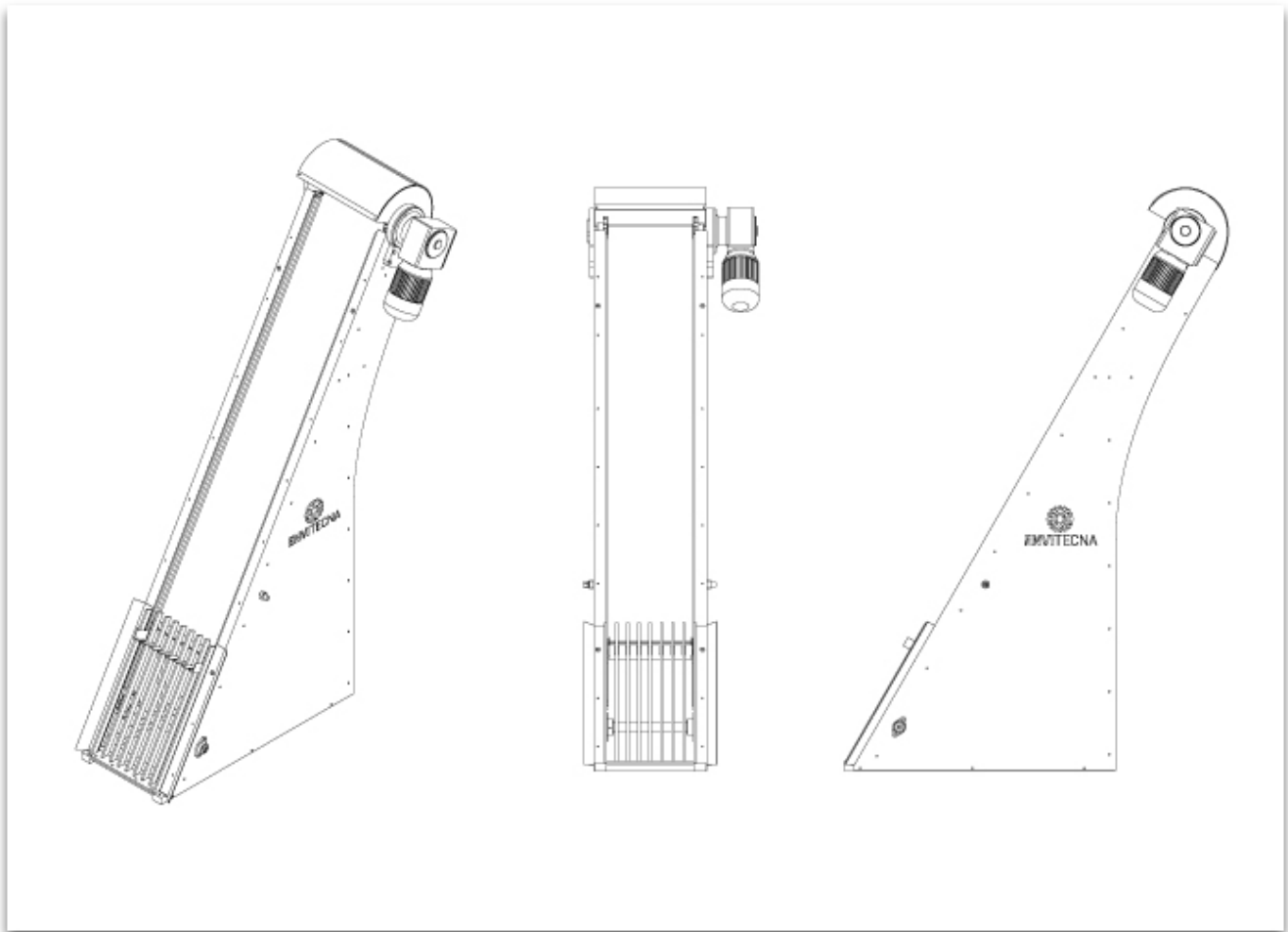
COARSE SCREEN FILTER



CSF series screens are adequate for the preliminary treatment of industrial wastewater. CSF screen allows the removal of the coarser, larger solids in a first separation step.

In wastewater applications, the coarse material has to be removed in order to guarantee efficiency of the following treatment stages. These screens receive the untreated water through channels, and its moving plates with a 40 mm – 100mm separation allow the removal of coarse solids like branches or rocks, extending the lifetime of the following equipment's.

ENVITECNA guarantees that with the screening application a high degree of environmental protection can therefore be achieved at a reasonable cost.



MODELS			
	CSF50200	CSF120250	CSF150300
FLOWRATE (m ³ /h)	10	50	100
MESH SIZE (mm)	40 - 100		
L (m)	1.2	1.5	1.8
W (m)	0.5	1	1.5
H (m)	2.5	2.5	3
MATERIALS	SS304/316		
RATED POWERS (kW)	0.75	1.1	2.2
ELECTRIC CURRENT (A)	1.79	2.38	4.68
VOLTAGE (V)	400	400	400

Get in touch with us

Address: Rua de Fundões N° 151 3700-121 São João da Madeira

Phone number: +1 718-955-2838 or +1 718-955-3290

E-mail address: contact@envitecna.com